

CHP6ABSet

1 - Safety information

Important safety information



This product contains non-isolated electrical components. Do not undertake any maintenance operation when it is switched on as it may result in electric shock.



This unit is intended for indoor use only. Do not use it in a wet, or extremely cold/hot locations. Failure to follow these safety instructions could result in fire, electric shock, injury, or damage to this product or other property.



Any maintenance procedure must be performed by a CONTEST authorised technical service. Basic cleaning operations must thoroughly follow our safety instructions.

Symbols used



This symbol signals an important safety precaution.



The CAUTION symbol signals a risk of product deterioration.



The WARNING symbol signals a risk to the user's physical integrity. The product may also be damaged.

Instructions and recommendations

1 - Please read carefully :

We strongly recommend to read carefully and understand the safety instructions before attempting to operate this unit.

2 - Please keep this manual :

We strongly recommend to keep this manual with the unit for future reference.

3 - Operate carefully this product :

We strongly recommend to take into consideration every safety instruction.

4 - Follow the instructions:

Please carefully follow each safety instruction to avoid any physical harm or property damage.

5 - Avoid water and wet locations :

Do not use this product in rain, or near washbasins or other wet locations.

6 - Installation :

We strongly encourage you to only use a fixation system or support recommended by the manufacturer or supplied with this product. Carefully follow the installation instructions and use the adequate tools.

Always ensure this unit is firmly fixed to avoid vibration and slipping while operating as it may result in physical injury.

7 - Ceiling or wall installation :

Please contact your local dealer before attempting any ceiling or wall installation.

8 - Ventilation :

The cooling vents ensure a safe use of this product, and avoid any overheating risk. Do not obstruct or cover these vents as it may result in overheating and potential physical injury or product damage. This product should never be operated in a closed non-ventilated area such as a flight case or a rack, unless cooling vents are provided for the purpose .

9 - Heat exposure :

Sustained contact or proximity with warm surfaces may cause overheating and product damages. Please keep this product away from any heat source such as a heaters, amplifiers, hot plates, etc...

CAUTION

RISK OF ELECTRIC SHOCK

DO NOT OPEN

WARNING : This unit contains no user-serviceable parts. Do not open the housing or attempt any maintenance by yourself. In the unlikely even your unit may require service, please contact your nearest dealer.
In order to avoid any electrical malfunction, please do not use any multi-socket, power cord extension or connecting system without making sure they are perfectly isolated and present no defect.

Sound levels

Our audio solutions deliver important sound pressure levels (SPL) that can be harmful to human health when exposed during long periods. Please do not stay in close proximity of operating speakers.

Recycling your device

- As HITMUSIC is really involved in the environmental cause, we only commercialise clean, ROHS compliant products.
- When this product reaches its end of life, take it to a collection point designated by local authorities. The separate collection and recycling of your product at the time of disposal will help conserve natural resources and ensure that it is recycled in a manner that protects human health and the environment.

10 - Electric power supply :

This product can only be operated according to a very specific voltage. These information are specified on the label located at the rear of the product.

11 - Power cords protection:

Power-supply cords should be routed so that they are not likely to be walked on or pinched by items placed upon or against them, paying particular attention to cords at lugs, convenience receptacles and the point where they exit from the fixture.

12 - Cleaning precautions :

Unplug the product before attempting any cleaning operation. This product should be cleaned only with accessories recommended by the manufacturer. Use a damp cloth to clean the surface. Do not wash this product.

13 - Long periods of non use :

Disconnect the unit's main power during long periods of non use.

14 - Liquids or objects penetration :

Do not let any object penetrate this product as it may result in electric shock or fire. Never spill any liquid on this product as it may infiltrate the electronic components and result in electric shock or fire.

15 - This product should be serviced when :

Please contact the qualified service personnel if :

- The power cord or the plug has been damaged.
- Objects have fallen or liquid has been spilled into the appliance.
- The appliance has been exposed to rain or water.
- The product does not appear to operate normally.
- The product has been damaged.

16 - Inspection/maintenance :

Please do not attempt any inspection or maintenance by yourself. Refer all servicing to qualified personnel.

17 - Operating environment :

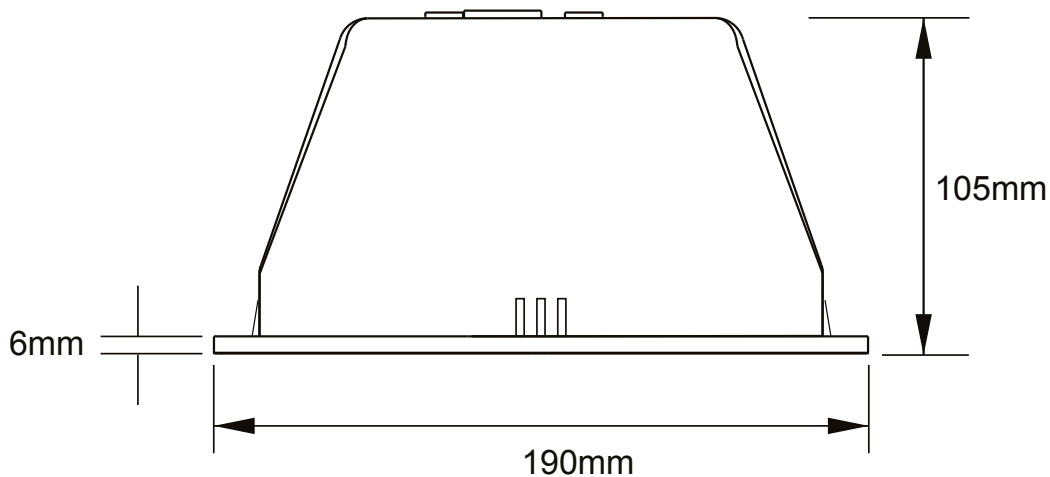
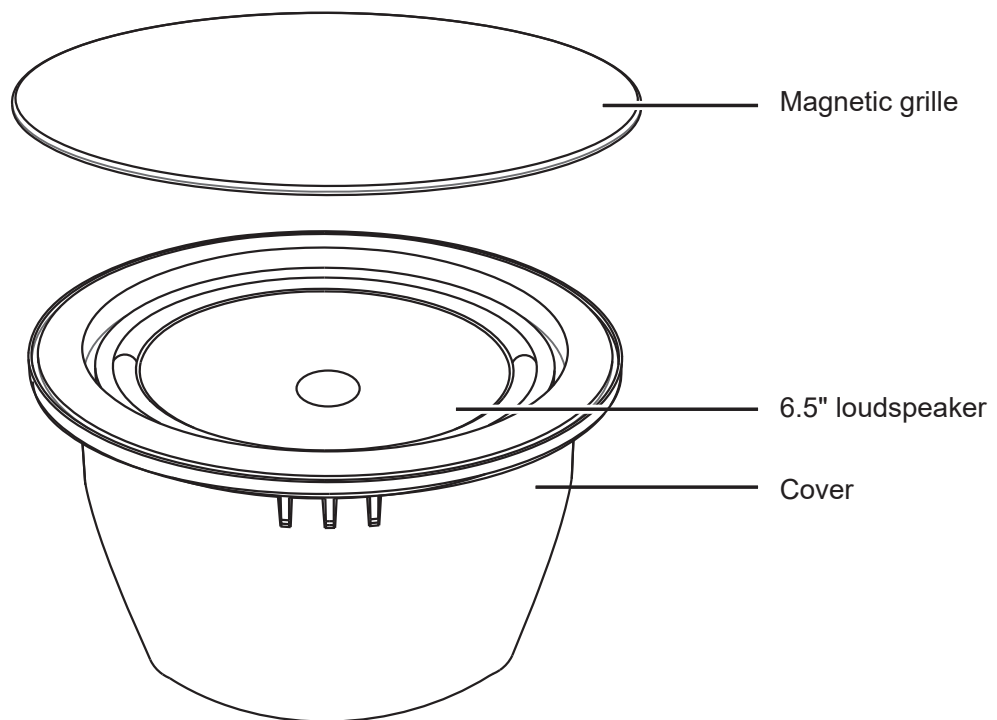
Ambient temperature and humidity: +5 - +35°C, relative humidity must be less than 85% (when cooling vents are not obstructed).

Do not operate this product in a non-ventilated, very humid or warm place.

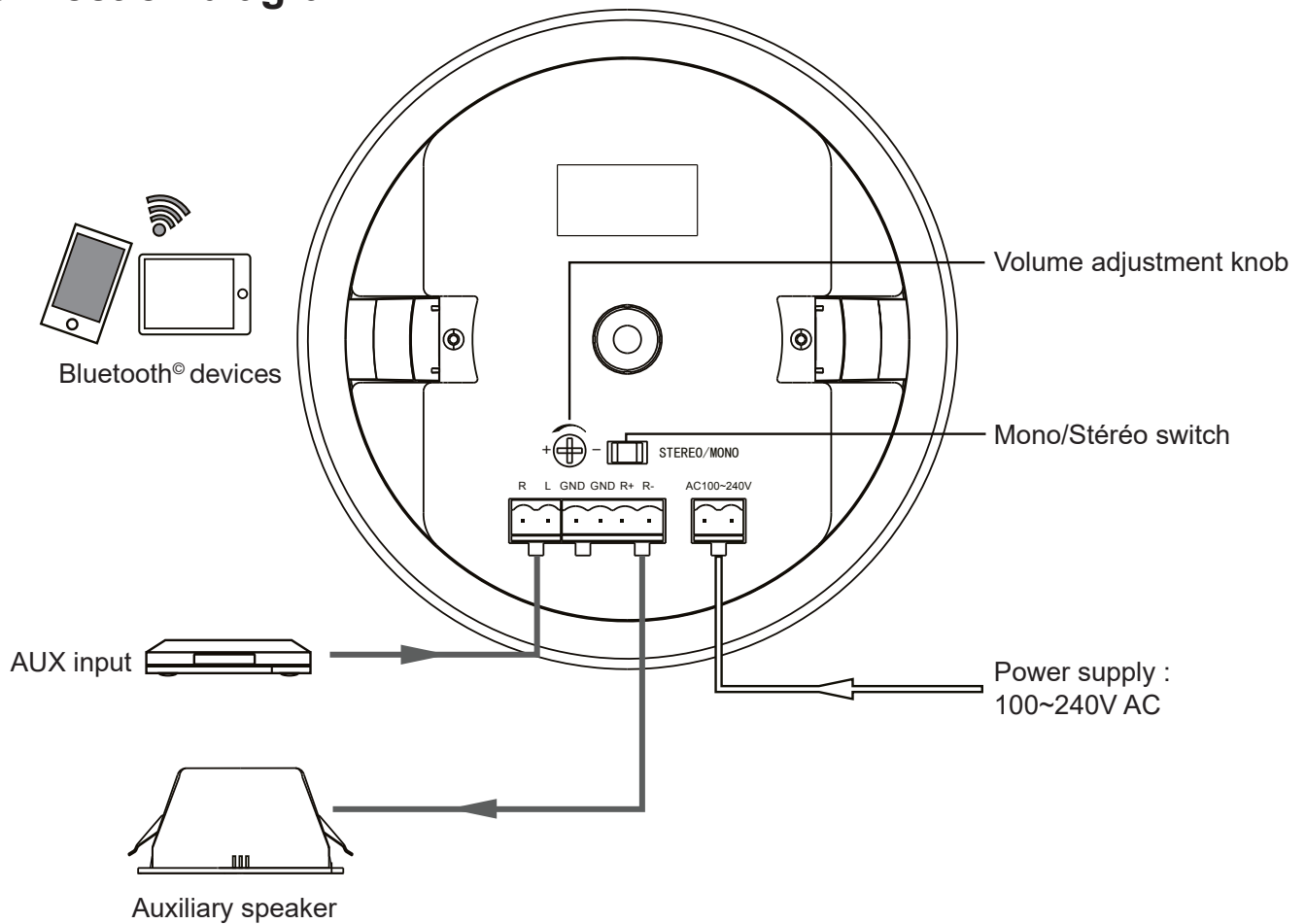
2 - Feature

- Kit of two loudspeakers 2 x 10W / 8 Ohms
- Bluetooth 4.0 compatible
- Auxiliary input
- 6.5-inch speaker
- Integrated Amplifier in the main speaker
- Adjustable level
- Stereo or mono operation
- Power supply input from 100 to 240V.
- Spring clamp

2 - Description / Dimensions



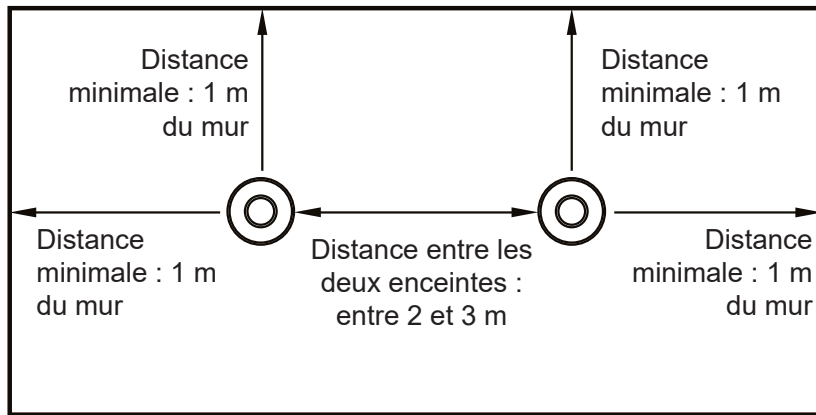
3 - Connection diagram



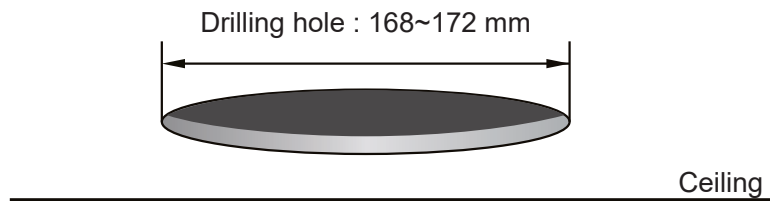
Function	Symbol	Name
Power supply AC 100~240V	N	Neutral
	L	Live
Entrée AUX	R	AUX right input
	L	AUX left input
	GND	Ground
Sortie amplificateur	GND	Ground
	R+	Auxiliary speaker positive terminal
	R-	Auxiliary speaker negative terminal

4 - Installation

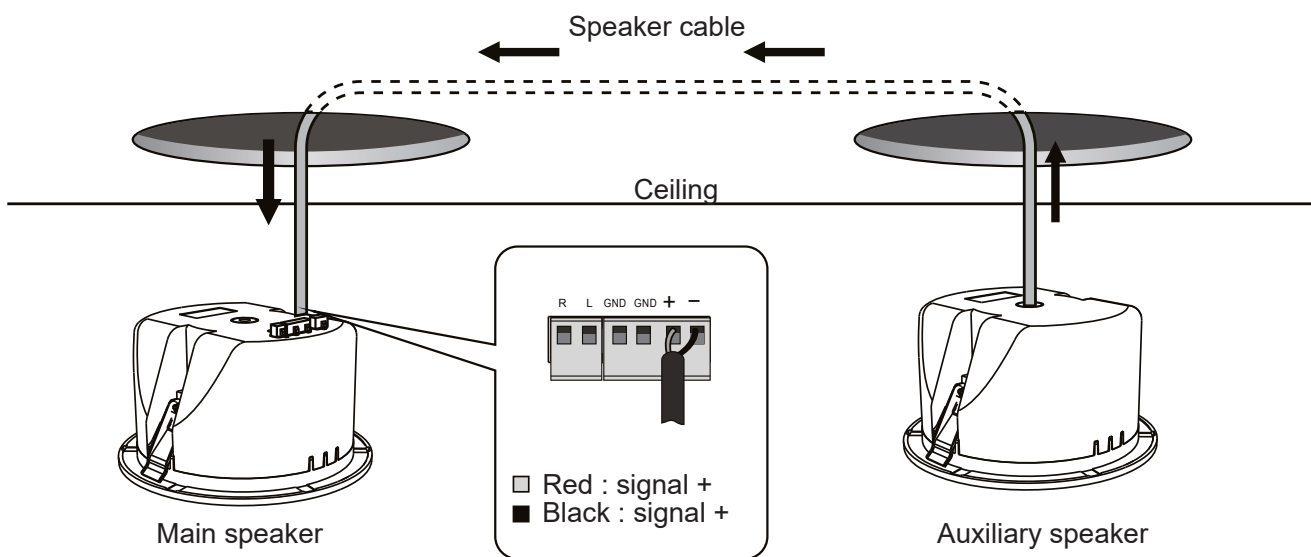
1 - The CHP6A-Bset system is recommended for rooms of 50 m² or less. The diagram below gives you details on the positioning of each speaker.



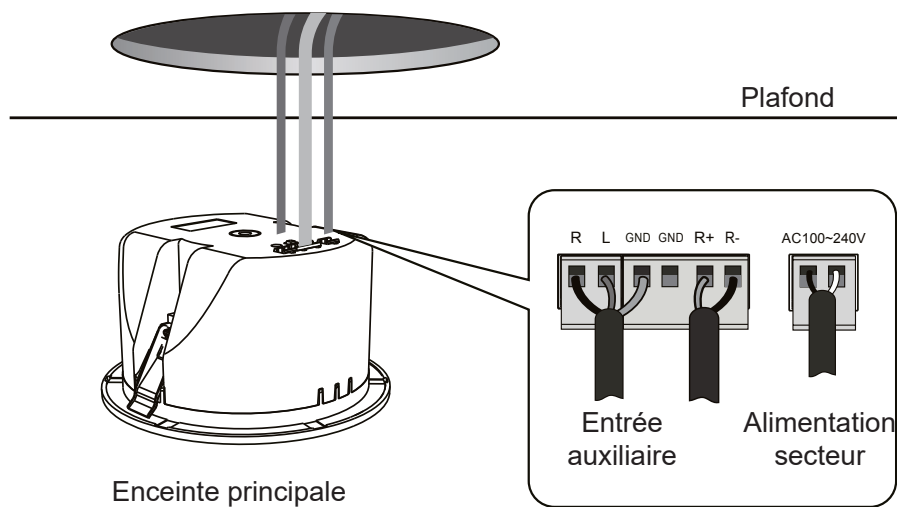
2 - The kit is supplied with a drilling template whose dimensions are shown below.



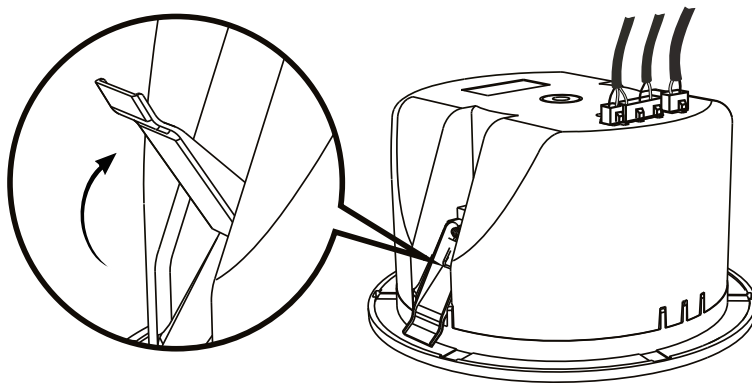
3 - The connection principle of the two speakers is given below. The connection between the two speakers is made with a speaker cable with a minimum cross-section of 0.75mm².



4 - Connect the power supply and the cable from your auxiliary source to the main speaker.



5 - Raise and hold the spring tabs up and slide the speaker into the ceiling hole. Do the same for the auxiliary speaker.



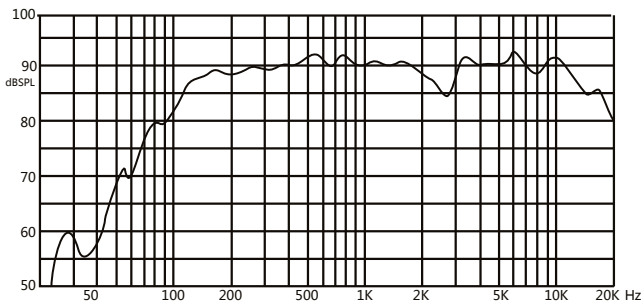
5 - Bluetooth connection

On your Bluetooth device, search for the device named CHP6A-Bset and connect it. The default password is 0000.

6 - Caractéristiques techniques

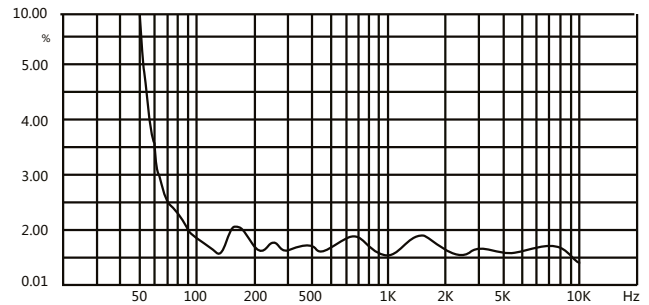
Elements		Values
Amplification	Power output	2 x 10W RMS / 8Ω
	S/N ratio	>= 81dB
	Channel separation	> 60 dB
Speaker	Loudspeaker	6.5" full range speaker
	Frequency response	110Hz ~ 15KHz
	Sensitivity	90dB +/-2dB
	SPL	98dB +/-2dB
	Distortion	<=5%
Bluetooth	Version	4.0
Power supply	AC100~240V ; 50/60Hz	
Dimensions	Ø190 x height 105mm	
Weight	1.0 Kg	

(dB SPL, 1W, 1m)

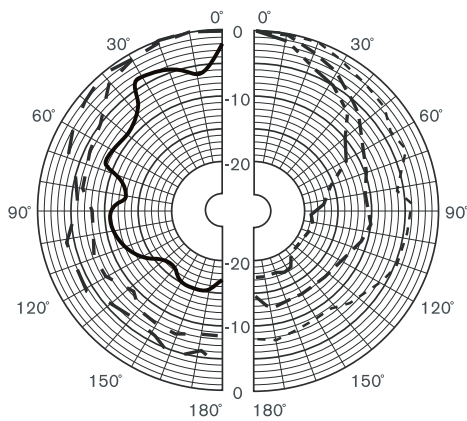


Frequency response

(THD < 5% 1W, 1m, 100Hz-10kHz)

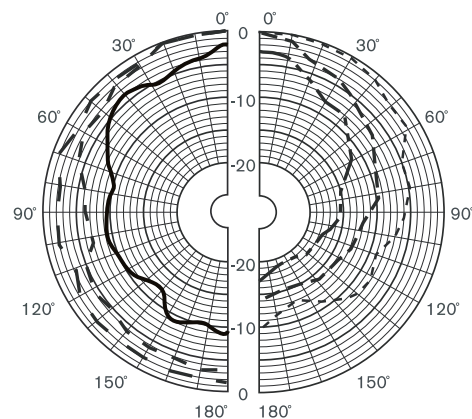


Distortion



--- 250 Hz - - - - 2000 Hz
 --- 500 Hz - - - - 4000 Hz
 --- 1000 Hz - - - - 8000 Hz

Vertical dispersion



--- 250 Hz - - - - 2000 Hz
 --- 500 Hz - - - - 4000 Hz
 --- 1000 Hz - - - - 8000 Hz

Horizontal dispersion

Because AUDIOPHONY® takes the utmost care in its products to make sure you only get the best possible quality, our products are subjects to modifications without prior notice. That is why technical specifications and the products physical configuration might differ from the illustrations.

Make sure you get the latest news and updates about the AUDIOPHONY® products on www.audiophony.com

AUDIOPHONY® is a trademark of HITMUSIC S.A.S - Zone Cahors sud - 46230 FONTANES - FRANCE