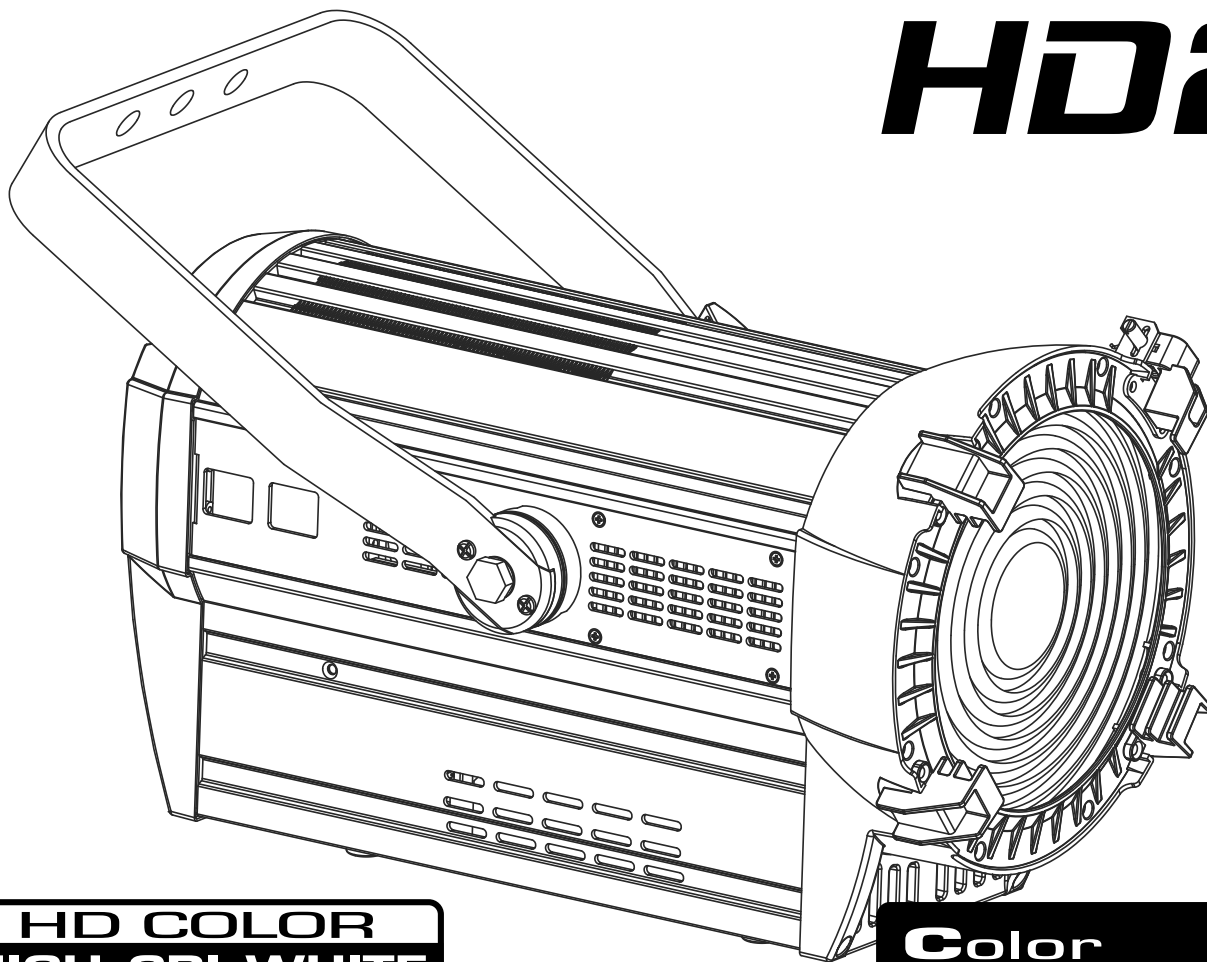


BT-THEATRE

HD2



HD COLOR
HIGH CRI WHITE
+ MULTI COLORS
RGBAL COLOR SYSTEM

Color
Calibration
System

ENGLISH

Operation Manual



Version: 1.0





EN - DISPOSAL OF THE DEVICE

Dispose of the unit and used batteries in an environment friendly manner according to your country regulations.

FR - DÉCLASSER L'APPAREIL

Débarrassez-vous de l'appareil et des piles usagées de manière écologique conformément aux dispositions légales de votre pays.

NL - VERWIJDEREN VAN HET APPARAAT

Verwijder het toestel en de gebruikte batterijen op een milieuvriendelijke manier conform de in uw land geldende voorschriften.

DU - ENTSORGUNG DES GERÄTS

Entsorgen Sie das Gerät und die Batterien auf umweltfreundliche Art und Weise gemäß den Vorschriften Ihres Landes.

ES - DESHACERSE DEL APARATO

Reciclar el aparato y pilas usadas de forma ecologica conforme a las disposiciones legales de su país.

PT - COMO DESFAZER-SE DA UNIDADE

Tente reciclar a unidade e as pilhas usadas respeitando o ambiente e em conformidade com as normas vigentes no seu país.

OPERATION MANUAL

Thank you for buying this Briteq® product. To take full advantage of all possibilities and for your own safety, please read these operating instructions very carefully before you start using this unit.

FEATURES

- A powerful “ALL-IN-1” LED theater spot with motorized 14° ~ 55° zoom.
- No more need for separate white and color projectors, BT-THEATRE HD2 does it all:
 - Perfect WHITE with high CRI > 90Ra and CCT presets
 - Rich COLOR selection with color presets!
- Thanks to the **new CCS Color Calibration System** the color differences between different batches is a problem of the past!
- Different CCT presets for white: ..., 2700K, ..., 3000K, 3200K, ..., 4000K, ..., 5600K, ...
- Different color presets (LEE® / ROSCO® numbering)
- Based on a 200watt 5-color RGBAL-LED (Red, Green, Blue, Amber, Lime)
- Very silent operation: heat-pipe technology with low noise cooling fan and different presets (live, studio, ...)
- DMX-controlled: 4 different channel modes for maximum flexibility
- RDM-functionality for easy remote setup: DMX addressing, channel mode, ...
- Flicker free TV-recordings thanks to the adjustable high LED-refresh rate!
- Four dimmer settings with different behavior & speed.
- Manual control for dimming, colors, CCT & zoom.
- OLED-display to navigate easily through the setup menu!
- In case of DMX failure, you can choose between blackout and freeze mode.
- Lock function to avoid unwanted altering of the settings.
- Rugged extruded aluminum housing.
- 3 & 5pin DMX in/outputs + PowerCON in/outputs for easy daisy chaining.
- An 8-leaf barndoor (BT-THEATRE BARN2) is optionally available.

BEFORE USE

- Before you start using this unit, please check if there's no transportation damage. Should there be any, do not use the device and consult your dealer first.
- **Important:** This device left our factory in perfect condition and well packaged. It is absolutely necessary for the user to strictly follow the safety instructions and warnings in this user manual. Any damage caused by mishandling is not subject to warranty. The dealer will not accept responsibility for any resulting defects or problems caused by disregarding this user manual.
- Keep this booklet in a safe place for future consultation. If you sell the fixture, be sure to add this user manual.

Check the contents:

Check that the carton contains the following items:

- English operating instructions, other languages can be downloaded from our website.
- BT-THEATRE HD2
- Color frame
- ProLock mains cable

SAFETY INSTRUCTIONS:



CAUTION
RISK OF ELECTRIC SHOCK
DO NOT OPEN



CAUTION: To reduce the risk of electric shock, do not remove the top cover. No user-serviceable parts inside. Refer servicing to qualified service personnel only.



The lightning flash with arrowhead symbol within the equilateral triangle is intended to alert the user to the presence of un-insulated "dangerous voltage" within the product's enclosure that may be of sufficient magnitude to constitute a risk of electric shock.



The exclamation point within the equilateral triangle is intended to alert the user to the presence of important operation and maintenance (servicing) instructions in the literature accompanying this appliance.



This symbol means: indoor use only



This symbol means: Read instructions



This symbol determines: the minimum distance from lighted objects. The minimum distance between light-output and the illuminated surface must be more than 1 meters

RISK GROUP 2
CAUTION:
Do not stare at operating lamp

CAUTION: Do not stare at operating lamp.
May be harmful to the eyes.

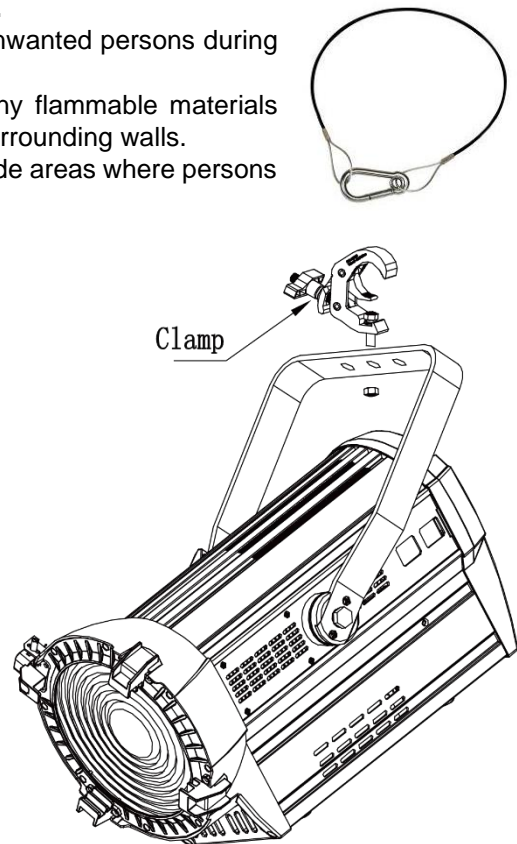
- To protect the environment, please try to recycle the packing material as much as possible.
- To prevent fire or shock hazard, do not expose this appliance to rain or moisture.
- To avoid condensation to be formed inside, allow the unit to adapt to the surrounding temperatures when bringing it into a warm room after transport. Condense sometimes prevents the unit from working at full performance or may even cause damages.
- This unit is for indoor use only.
- Don't place metal objects or spill liquid inside the unit. Electric shock or malfunction may result. If a foreign object enters the unit, immediately disconnect the mains power.
- Locate the fixture in a well ventilated spot, away from any flammable materials and/or liquids. The fixture must be fixed at least 50cm from surrounding walls.
- Don't cover any ventilation openings as this may result in overheating.
- Prevent use in dusty environments and clean the unit regularly.
- Keep the unit away from children.
- Inexperienced persons should not operate this device.
- Maximum safe ambient temperature is 40°C. Don't use this unit at higher ambient temperatures.
- Make sure the area below the installation place is free from unwanted persons during rigging, de-rigging and servicing.
- Allow the device about 10 minutes to cool down before to start servicing.
- Always unplug the unit when it is not used for a longer time or before to start servicing.
- The electrical installation should be carried out by qualified personal only, according to the regulations for electrical and mechanical safety in your country.
- Check that the available voltage is not higher than the one stated on the unit.
- The power cord should always be in perfect condition. Switch the unit immediately off when the power cord is squashed or damaged. It must be replaced by the manufacturer, its service agent or similarly qualified persons in order to avoid a hazard.
- Never let the power-cord come into contact with other cables!
- This fixture must be earthed in order to comply with safety regulations.
- Don't connect the unit to any dimmer pack.
- Always use an appropriate and certified safety cable when installing the unit.
- In order to prevent electric shock, do not open the cover. Apart from the mains fuse there are no user serviceable parts inside.
- **Never** repair a fuse or bypass the fuse holder. **Always** replace a damaged fuse with a fuse of the same type and electrical specifications!
- In the event of serious operating problems, stop using the fixture and contact your dealer immediately.
- The housing and the lenses must be replaced if they are visibly damaged.
- Please use the original packing when the device is to be transported.
- Due to safety reasons it is prohibited to make unauthorized modifications to the unit.

Important: Never look directly into the light source! Don't use the effect in the presence of persons suffering from epilepsy.

OVERHEAD RIGGING

Important: The installation must be carried out by qualified service personal only. Improper installation can result in serious injuries and/or damage to property. Overhead rigging requires extensive experience! Working load limits should be respected, certified installation materials should be used, the installed device should be inspected regularly for safety.

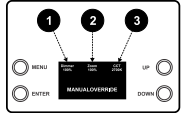
- Make sure the area below the installation place is free from unwanted persons during rigging, de-rigging and servicing.
- Locate the fixture in a well-ventilated spot, far away from any flammable materials and/or liquids. The fixture must be fixed **at least 50cm** from surrounding walls.
- The device should be installed out of reach of people and outside areas where persons may walk by or be seated.
- Before rigging make sure that the installation area can hold a minimum point load of 10times the device's weight.
- Always use a certified safety cable that can hold 12times the weight of the device when installing the unit. This secondary safety attachment should be installed in a way that no part of the installation can drop more than 20cm if the main attachment fails.
- The device should be well fixed; a free-swinging mounting is dangerous and may not be considered!
- Don't cover any ventilation openings as this may result in overheating.
- The operator has to make sure that the safety-relating and machine-technical installations are approved by an expert before using them for the first time. The installations should be inspected every year by a skilled person to be sure that safety is still optimal.



SETUP MENU / HOW TO SETUP

With the setup menu you can fully configure the projector. All settings are preserved when the unit is disconnected from the mains.

- [MENU] button: press to enter / leave the setup menu.
- ▶ [ENTER] button: press to select / confirm or store the current menu option or value.
- ▲/▼ [UP/DOWN] button: press to navigate the setup menu or change a value.

KNOB MODE	Mode 1	1.Dimmer, 2.Zoom, 3.CCT		<i>Knob mode select</i>		
	Mode 2	1.Dimmer, 2.Zoom, 3.COLOR				
	Mode 3	1.H, 2.S, 3.I				
	Mode 4	1.Dimmer, 2.CCT, 3.Green				
STATIC	RED	0-255		<i>Combine [RED],[GREEN],[BLUE],[LIME],[AMBER] to create an infinite range of colors(0-255). Set the value of the [STROBE](0-25Hz).</i>		
	GREEN	0-255				
	BLUE	0-255				
	AMBER	0-255				
	LIME	0-255				
	ZOOM	0-255				
STROBE	0-25					
ADDRESS	001-512 (default: 001)		<i>Set the DMX ADDRESS</i>			
RUN MODE	DMX (default)		<i>[DMX] Using the DMX 512 controller to control; [SLAVE] Master / Slave operation.</i>			
	SLAVE					
PERSONALITY	HSIC		<i>Use the menu to select desired channel mode</i>			
	SSP					
	TOUR (default)					
	TR16					
AUTO PROGRAM	AUTO 1	0-255		<i>Selects automatic AUTO program and AUTO program speed. Programs [CUSTOM 1] to [CUSTOM 2] are fully pre-programmed and can be edited in [EDIT] mode.</i>		
	AUTO 2	0-255				
	...	0-255				
	AUTO 10	0-255				
	PR 1					
	PR 2					
EDIT	PROGRAM 1-2	SCENE 01-10	RED	0-255		
			GREEN	0-255		
			BLUE	0-255		
			AMBER	0-255		
			LIME	0-255		
			ZOOM	0-255		
			STROBE	0-25		
			TIME	0-255		
	FADE	0-255				
UPLOAD	****	SEND		<i>Select [UPLOAD] to upload the custom programs</i>		
SETTING	****	RESET	****	RESET		<i>Restore factory settings</i>
		DIMMER	DIM4 (default)		<i>Dimming curves DIM1 (fast) to DIM4 (slow)</i>	
			OFF			
		DMX ERROR	SAVE (default)		<i>Hold / Freeze after loss of DMX signal</i>	
			BLACK		<i>Blackout after loss of DMX signal</i>	
		LED PWM	1200Hz (default)		<i>Sets the PWM frequency</i>	
			2400Hz			
			4000Hz			
			6000Hz			
			25000Hz			
PERFORM	LIVE (default)		<i>Low fan speed</i>			
	POWER		<i>Fast fan speed, full power</i>			
	STUDIO		<i>Automatic fan speed</i>			

	DISP KEY	ON (default)		Locks display (passcode is <UP>, <DOWN>, <UP>, <DOWN>, <ENTER>)
		OFF		
	DISP TIME	ON		Display backlight always on
		10s		Turns off display backlight after 10s, 30s or 2min of inactivity
		30s (default)		
		2min		
INFO	FIXTURE HOURS			Hours of fixture use
	VERSION			Software versions
	RDM	UID	0x2122003Fxxxx	Check fixture's ID
		LABEL	BT-THEATRE HD2	Check fixture's LABEL
CCT	1800K			Preset color temperatures
	2200K			
	2700K			
	3000K			
	3200K			
	4000K			
	4500K			
	5000K			
	5600K			
	6000K			
	6500K			
	7000K			
	8000K			
10000K				
PRESET COLOR	COLOR 1			Preset color (See Annex I for details)
	COLOR 2			
	...			
	COLOR 48			
All passwords of this product are: <UP>, <DOWN>, <UP>, <DOWN>, <ENTER>				

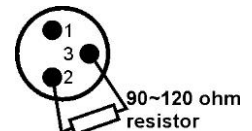
ELECTRICAL INSTALLATION



Important: The electrical installation should be carried out by qualified personal only, according to the regulations for electrical and mechanical safety in your country.

Electrical installation for two or more units in DMX-mode:

- The DMX-protocol is a widely used high speed signal to control intelligent light equipment. You need to “daisy chain” your DMX controller and all the connected units.
- Pin layout XLR-3pin: Pin1 = GND ~ Pin2 = Negative signal (-) ~ Pin3 = Positive signal (+)
- To prevent strange behavior of the light effects, due to interferences, you must use a 90Ω to 120Ω terminator at the end of the chain. Never use Y-splitter cables, this simply won't work!
- Make sure that all units are connected to the mains.
- Each unit in the chain needs to have its proper starting address so it knows which commands from the controller it has to decode.



RDM FUNCTIONS / REMOTE SETUP

RDM means “Remote Device Management”. This projector works with a brief set of RDM-functions which means that it can setup a bi-directional communication with an RDM-compatible DMX-controller. Some of these functions are briefly explained below, others will be added in the future.

- The DMX-controller sends out a “discovery command”, all RDM devices respond and send their unique device ID.
- The DMX-controller asks each RDM device for some basic data so it knows which devices are connected. The projector will respond:
 - **Device name:** BT-THEATRE HD2
 - **Manufacturer:** Briteq®
 - **Category:** LED Dimmer
 - **Firmware:** x.x.x.x (firmware version of the projector)
 - **DMX address:** xxx (current DMX start address of the projector)
 - **DMX footprint:** xx (number of DMX-channels used by the projector)
 - **Personality:** xx (current personality [or DMX-working mode] used by the projectors)
- The DMX-controller can send certain commands to each RDM device which allow remote setup of the units. Thanks to this the projector can be setup remotely.

The following functions can be managed remotely:

No more need to take a ladder and set all units one by one!

- **DMX START ADDRESS:** The start address can be set remotely from 001 to xxx.
- **PERSONALITY:** The DMX working mode (DMX-chart) can be set remotely.

These 2 functions make it possible to prepare a complete DMX-patch of all projectors on the DMX-controller and send these data to all projectors at once. More functions will be added later.

DMX CHARTS

HSIC Personality (8 CH)

CHANNEL	VALUE	FUNCTION
1	000-255	INTENSITY
2	000-255	HUE
3	000-255	HUE FINE
4	000-255	SATURATION
5	CCT	
	000-009	NO FUNCTION
	010	1800K
	025	2200K
	040	2700K
	055	3000K
	070	3200K
	085	4000K
	100	4500K
	115	5000K
	130	5600K
	145	6000K
	160	6500K
	175	7000K
	190	8000K
205	10000K	
255	10000K	

		STROBE	
6	000-009	NO FUNCTION	
	010-099	STROBE FROM SLOW TO FAST (0-25Hz)	
	100-109	NO FUNCTION	
	110-179	THUNDER STROBE	
	180-189	NO FUNCTION	
	190-255	RANDOM STROBE	
7	000-255	ZOOM	
8	CONTROL (active after 3 seconds)		
	000-010	NO FUNCTION	
	011-020	RESERVED	
	021-030	RESERVED	
	031-040	RESERVED	
	041-050	RESERVED	
	051-060	RESERVED	
	061-070	FAN MODE = LIVE	
	071-080	FAN MODE = STUDIO	
	081-090	FAN MODE = POWER	
	091-100	RESERVED	
	101-110	DIMMER MODE = OFF	
	111-120	DIMMER MODE = DIM4	
	121-130	RESERVED	
	131-140	RESERVED	
	141-150	RESERVED	
	151-160	LED PWM = 1200Hz	
	161-170	LED PWM = 2400Hz	
	171-180	LED PWM = 4000Hz	
	181-190	LED PWM = 6000Hz	
191-200	LED PWM = 25000Hz		
	201-210	ALL RESET	
	211-220	ZOOM RESET	
	221-230	RESERVED	
	231-240	RESERVED	
	241-255	RESERVED	

Personalities SSP (9CH) + TOUR (13CH) + TR16 (19CH)

SSP	TOUR	TR16	VALUE	FUNCTION
1	1	1	000-255	MASTER DIMMER
		2	000-255	MASTER DIMMER FINE
2	2	3	000-255	RED
		4	000-255	RED FINE
3	3	5	000-255	GREEN
		6	000-255	GREEN FINE
4	4	7	000-255	BLUE
		8	000-255	BLUE FINE
5	5	9	000-255	AMBER
		10	000-255	AMBER FINE
6	6	11	000-255	LIME
		12	000-255	LIME FINE

	7	13	PRESET COLOR	
			000-010	NO FUNCTION
			011-255	PRESET COLOR (See Annex I for details)
	8	14	CCT (Color temperature)	
			000-009	NO FUNCTION
			010	1800K
			025	2200K
			040	2700K
			055	3000K
			070	3200K
			085	4000K
			100	4500K
			115	5000K
			130	5600K
			145	6000K
			160	6500K
			175	7000K
			190	8000K
			205	10000K
			255	10000K
7	9	15	STROBE	
			000-009	NO FUNCTION
			010-099	STROBE FROM SLOD TO FAST (0-25Hz)
			100-109	NO FUNCTION
			110-179	THUNDER STROBE
			180-189	NO FUNCTION
			190-255	RANDOM SROBE
8	10	16	000-255	ZOOM
	11	17	AUTO	
			000-040	NO FUNCTION
			041-050	AUTO 1
			051-060	AUTO 2
			061-070	AUTO 3
			071-080	AUTO 4
			081-090	AUTO 5
			091-100	AUTO 6
			101-110	AUTO 7
			111-120	AUTO 8
			121-130	AUTO 9
			131-140	AUTO 10
			141-150	PROGRAM 1
			151-160	PROGRAM 2
			161-255	NO FUNCTION
	12	18	000-255	AUTO SPEED ADJUSTMENT
9	13	19	CONTROL (active after 3 seconds)	
			000-010	NO FUNCTION
			011-020	RESERVED
			021-030	RESERVED
			031-040	RESERVED
			041-050	RESERVED
			051-060	RESERVED
			061-070	FAN MODE = LIVE
			071-080	FAN MODE = STUDIO
			081-090	FAN MODE = POWER
			091-100	RESERVED
			101-110	DIMMER MODE = OFF
			111-120	DIMMER MODE = DIM4

		121-130	RESERVED
		131-140	RESERVED
		141-150	RESERVED
		151-160	LED PWM = 1200Hz
		161-170	LED PWM = 2400Hz
		171-180	LED PWM = 4000Hz
		181-190	LED PWM = 6000Hz
		191-200	LED PWM = 25000Hz
		201-210	ALL RESET
		211-220	ZOOM RESET
		221-230	RESERVED
		231-240	RESERVED
		241-255	RESERVED

MAINTENANCE

- Make sure the area below the installation place is free from unwanted persons during servicing.
- Switch off the unit, unplug the mains cable and wait until the unit has been cooled down.

During inspection the following points should be checked:

- All screws used for installing the device and any of its parts should be tightly fastened and may not be corroded.
- Housings, fixations and installations spots (ceiling, truss, suspensions) should be totally free from any deformation.
- When an optical lens is visibly damaged due to cracks or deep scratches, it must be replaced.
- The mains cables must be in impeccable condition and should be replaced immediately when even a small problem is detected.
- In order to protect the device from overheat the cooling fans (if any) and ventilation openings should be cleaned monthly.
- The interior of the device should be cleaned annually using a vacuum cleaner or air-jet.
- The cleaning of internal and external optical lenses and/or mirrors must be carried out periodically to optimize light output. Cleaning frequency depends on the environment in which the fixture operates: damp, smoky or particularly dirty surroundings can cause greater accumulation of dirt on the unit's optics.
 - Clean with a soft cloth using normal glass cleaning products.
 - Always dry the parts carefully.

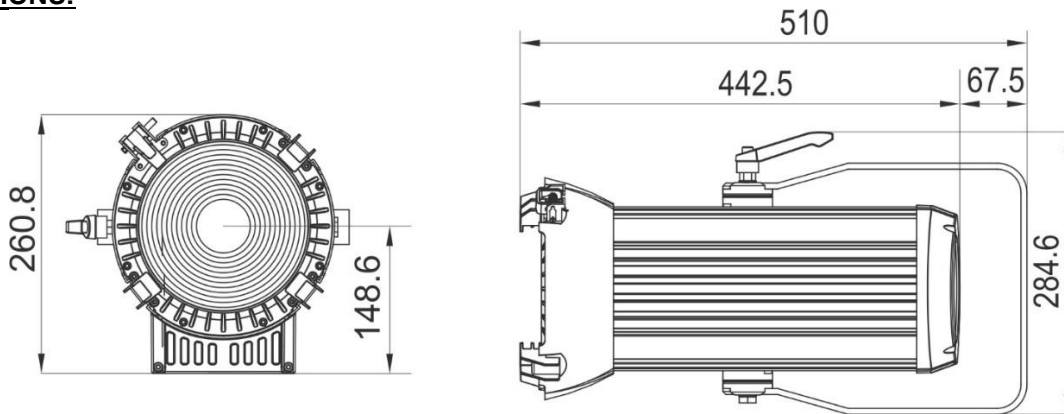
Attention: We strongly recommend internal cleaning to be carried out by qualified personnel!

SPECIFICATIONS

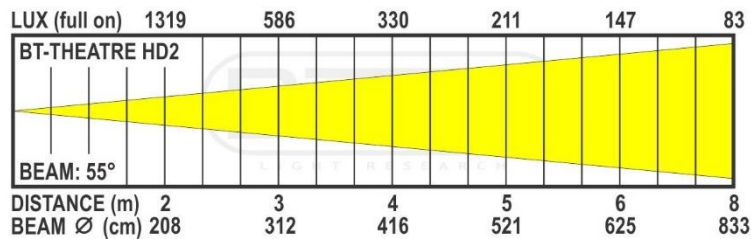
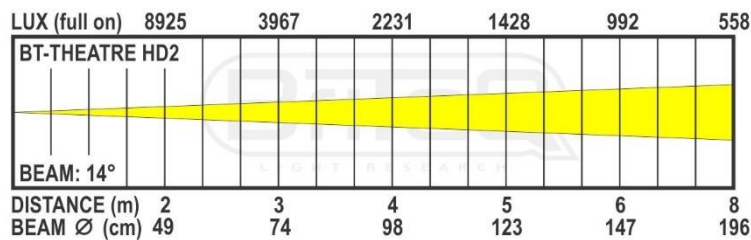
This unit is radio-interference suppressed. This product meets the requirements of the current European and national guidelines. Conformity has been established and the relevant statements and documents have been deposited by the manufacturer.

Mains Input:	AC 110 - 240V, 50/60Hz
Fuse:	T5A / 250V (20x5mm)
Power consumption (max):	240 Watts
Power connections:	ProLock input / output
DMX connections:	3&5 pin-XLR male / female inputs + outputs
Lamp:	RGBAL LED 200W
CRI:	>90
Beam Angle:	manual zoom 14° ~ 45°
IP-Rating:	IP20
Operating Temperature:	0°C – 45°C
Size:	See drawing
Weight:	7,6 kg

DIMENSIONS:



LUX CHARTS



ANNEX 1 → COLOR PRESETS + LEE / ROSCO FILTER NAMES + CIE 1931 X/Y coordinates

PRESET	VALUE	COLOR NAME		X	Y
	000-010	NO FUNCTION			
COLOR 1	011-015	L176	Loving Amber	0.407	0.321
COLOR 2	016-020	R40	Light Salmon	0.499	0.321
COLOR 3	021-025	L24	Scarlet	0.561	0.296
COLOR 4	026-030	L164	Flame Red	0.659	0.302
COLOR 5	031-035	L747	Easy White	0.389	0.344
COLOR 6	036-040	R303	Warm Peach	0.448	0.353
COLOR 7	041-045	L08	Dark Salmon	0.498	0.347
COLOR 8	046-050	L25	Sunset Red	0.566	0.359
COLOR 9	051-055	L04	Medium Bastard Amber	0.37	0.335
COLOR 10	056-060	L237	C.I.D. (To Tungsten)	0.43	0.365
COLOR 11	061-065	R321	Soft Golden Amber	0.477	0.406
COLOR 12	066-070	L652	Urban Sodium	0.535	0.399
COLOR 13	071-075	L212	L.C.T. Yellow (Y1)	0.34	0.363
COLOR 14	076-080	L765	LEE Yellow	0.389	0.412
COLOR 15	081-085	L513	Ice and a Slice	0.38	0.447
COLOR 16	086-090	L100	Spring Yellow	0.41	0.502
COLOR 17	091-095	L244	LEE Plus Green	0.324	0.388
COLOR 18	096-100	R4430	Cal Color 30 Green	0.318	0.44
COLOR 19	101-105	L122	Fern Green	0.234	0.543
COLOR 20	106-110	L90	Dark Yellow Green	0.184	0.641
COLOR 21	111-115	L243	LEE Fluorescent 3600K	0.286	0.37
COLOR 22	116-120	R92	Turquoise	0.235	0.36
COLOR 23	121-125	R94	Kelly Green	0.185	0.459
COLOR 24	126-130	L327	Forest Green	0.162	0.496
COLOR 25	131-135	L191	Cosmetic Aqua Blue	0.3	0.318
COLOR 26	136-140	L728	Steel Green	0.256	0.302
COLOR 27	141-145	L117	Steel Blue	0.223	0.278
COLOR 28	146-150	L354	Special Steel Blue	0.173	0.265
COLOR 29	151-155	L53	Paler Lavender	0.284	0.284
COLOR 30	156-160	L501	New Color Blue	0.246	0.249
COLOR 31	161-165	L174	Dark Steel Blue	0.204	0.205
COLOR 32	166-170	L165	Daylight Blue	0.159	0.158
COLOR 33	171-175	L136	Pale Lavender	0.288	0.254
COLOR 34	176-180	L194	Surprise Pink	0.24	0.183
COLOR 35	181-185	L142	Pale Violet	0.209	0.148
COLOR 36	186-190	L700	Perfect Lavender	0.177	0.07
COLOR 37	191-195	L35	Light Pink	0.335	0.289
COLOR 38	196-200	L794	Pretty 'n Pink	0.335	0.251
COLOR 39	201-205	L328	Follies Pink	0.335	0.18
COLOR 40	206-210	L795	Magical Magenta	0.327	0.138
COLOR 41	211-215	L154	Pale Rose	0.35	0.318
COLOR 42	216-220	L127	Smokey Pink	0.397	0.265
COLOR 43	221-225	L192	Flesh Pink	0.41	0.237
COLOR 44	226-230	L332	Special Rose Pink	0.465	0.193
COLOR 45	231-235	L790	Moroccan Pink	0.378	0.324
COLOR 46	236-240	L157	Pink	0.457	0.272
COLOR 47	241-245	R332	Cherry Rose	0.489	0.295
COLOR 48	246-250	L128	Cool LED Bright Pink	0.57	0.263
	251-255	NO FUNCTION			

The information might be modified without prior notice
 You can download the latest version of this user manual on our website: www.briteq-lighting.com



MAILING LIST

EN: Subscribe today to our mailing list for the latest product news!

FR: Inscrivez-vous à notre liste de distribution si vous souhaitez suivre l'actualité de nos produits!

NL: Abonneer je vandaag nog op onze mailinglijst en ontvang ons laatste product nieuws!

DE: Abonnieren Sie unseren Newsletter und erhalten Sie aktuelle Produktinformationen!

ES: Suscríbete hoy a nuestra lista de correo para recibir las últimas noticias!

PT: Inscreva-se hoje na nossa mailing list para estar a par das últimas notícias!

WWW.BRITEQ-LIGHTING.COM

Copyright © 2021 by BEGLEC NV

't Hofveld 2C ~ B1702 Groot-Bijgaarden ~ Belgium

Reproduction or publication of the content in any manner, without express permission of the publisher, is prohibited.